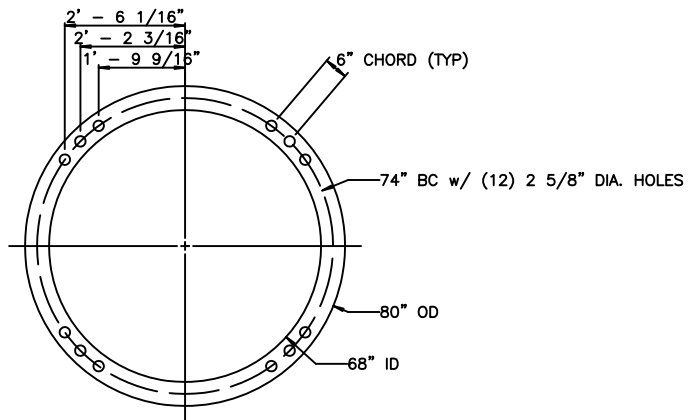
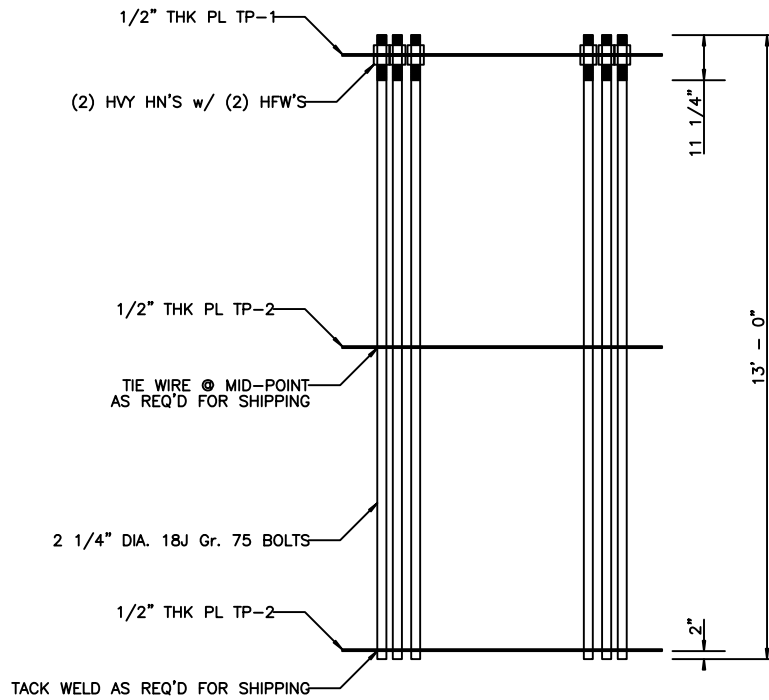


MK TP-1
(1/2" THK PL ~ A36)



MK TP-2
(1/2" THK PL ~ A36)

Scale: 1/4 in = 1 foot (1:48)



K2 Engineering, Inc.
5549 Hunter's Hill Road
Ironton, AL 35210-3036

Title Line 1
Title Line 2

Date:	December 31, 2010
Project File:	Test Project